

# Kambert



## **EXPERT-2** **BI-LAYER TABLET COMPRESSION PRESS**



*A Research & Development Press that is designed to produce two-layer tablet Mono Layer, MUPS and Effervescent Tablets on a small scale.*

## STANDARD FEATURES

- | cGMP Model with Contact parts SS 316
- | Central pillar drive system through an oil-immersed reduction gearbox
- | Gravity Feeding System & Pre Compression System for Mono Layer Tablet
- | 3 Piece Turret With SS 316 Die table (Upper & Lower Piece ELNP)
- | PLC With HMI Controls
- | First Layer sampling device
- | Easy and Quick assembly & dismantling of hoppers, feeders and dies for cleaning and product replacement purposes.

## OPTIONAL FEATURES

- | Dial less Model
- | Main, Pre compression & Ejection Force Monitoring System
- | Compaction Force Control system (CFC System)
- | Force feeding system with ACVFD
- | Turret with HCP Die table
- | Mono Layer Tablet Attachment
- | Various depth of fill lower cam tracks
- | Feeding System for MUPS
- | Hopper with Agitator Assembly
- | Containment Isolator Model for Oncology & Hormonal Tablets production



*Single Layer Tablet*



*Bi-layer Tablet*



*Effervescent Tablet*



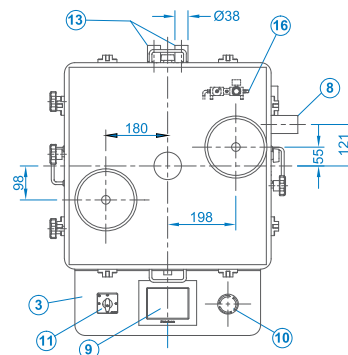
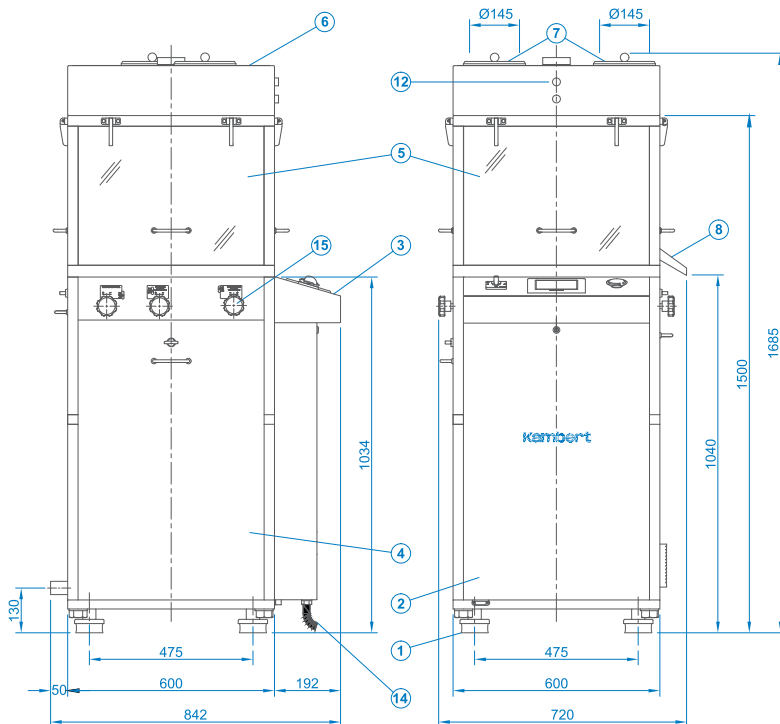
*MUPS Tablet*

**EXPERT-2**  
**BI-LAYER TABLET COMPRESSION PRESS**

# TECHNICAL SPECIFICATIONS

| Model                                      | Expert-2                                   |               |               |
|--|--|---------------|---------------|
| No. of Station                             | 17   | 19            | 18MT          |
| Type of Tooling - TSM or EU                | D  | B             | D-9 & B-9     |
| Turrent Speed - RPM                        | 5 to 35                                    |               |               |
| Feeder Speed - RPM                         | 5 to 60                                    |               |               |
| Rated Output - Tablets/hour*               | 5100 - 35700                               | 5700 to 39900 | 2700 to 18900 |
| Depth of Fill 1st Layer - mm               | 2 to 20                                    | 2 to 17       | D-20 & B-17   |
| Depth of Fill 2nd Layer - mm               | 2 to 8                                     | 2 to 8        | 2 to 8        |
| Max Compression Force 1st Layer - kN       | 10   |               |               |
| Max Compression Force Main - kN            | 100  |               |               |
| Max Tablet Dia - mm                        | 24   | 16            | D-24 & B-16   |
| Tablet Thickness 1st Layer - mm            | 1 to 8                                     |               |               |
| Tablet Thickness Main - mm                 | 1 to 8                                     |               |               |
| Upper Penetration 1st Layer - mm           | 4 to 8                                     |               |               |
| Upper Penetration Main - mm                | 4  |               |               |
| Main electric Motor - kW/hp                | 3.7/5                                      |               |               |
| Force Feeder Electric Motor - 2 Nos. kW/hp | 0.12/0.16                                  |               |               |
| Power Consumption - kW/hp                  | 4.0/5.25                                   |               |               |
| Power Supply                               | 220V / 380V / 415V / 480 V, 3 Ph, 50/60 Hz |               |               |
| Overall Dimensions - cm                    | 72W x 84D x 150H                           |               |               |
| Net Weight - kg                            | 850  |               |               |

Beacuse of Technical Progress, we reserve rights of alteration.



1. Anti-Vibration Mounting
2. Front Door
3. Control Pannel
4. Lower Guards
5. Upper Guards
6. Top Cover
7. Hopper (2 Nos.)
8. Discharging Chute
9. Touch Screen (HMI)
10. Emergency Stop Button
11. Isolating Switch
12. Machine light
13. Dust extractor outlet nozzle
14. Main electric supply
15. Tablet parameter adj. knob
16. Air inlet

# Kambert

**Kambert Machinery Co. Pvt. Ltd.**

79/4, Phase - 1, GIDC Vatva, Ahmedabad - 382 445. (INDIA)

+91 - 079 - 2583 4041 | +91 - 97277 48801

Web: [www.kambert.com](http://www.kambert.com) | Email: [info@kambert.com](mailto:info@kambert.com)