

Kambert



COMBO UNIT SS30 + DD10/24
METAL DETECTOR WITH ELEVATING TYPE DEDUSTER



We offer unique combination of Metal Detector with Elevating Type Deduster. The same is equipped with highly advanced features of Metal Detector SS 30 and Elevating Type Deduster DD 10/24.

SALIENT FEATURES - METAL DETECTOR

- | Sample E - signature
- | Product auto-tracking
- | Validation using prompt
- | Reject confirmation option
- | Three level passwords
- | Continuous online self check monitoring system
- | Reject time stamping
- | Fail safe mechanism
- | Digital control and signal processing
- | Set parameter data retention on loss of power
- | Buzzer on detection of metal contamination
- | Bargraph and Numeric Display

SALIENT FEATURES - ELEVATING TYPE DEDU

- | Upward Conveying
- | Unique Design, even single tablet travels from bottom to top
- | Independent power and frequency adjustment



- | High quality Dedusting with Metal Detection
- | Effect of Vibration on Metal Detector is nullified to get an optimum sensitivity
- | Metal Detector can be combined with various models of our deduster - 10/18/24 etc layers
- | Controls of Deduster will be operated through Metal Detector HMI
- | Dual frequency version for iron tablets / capsules

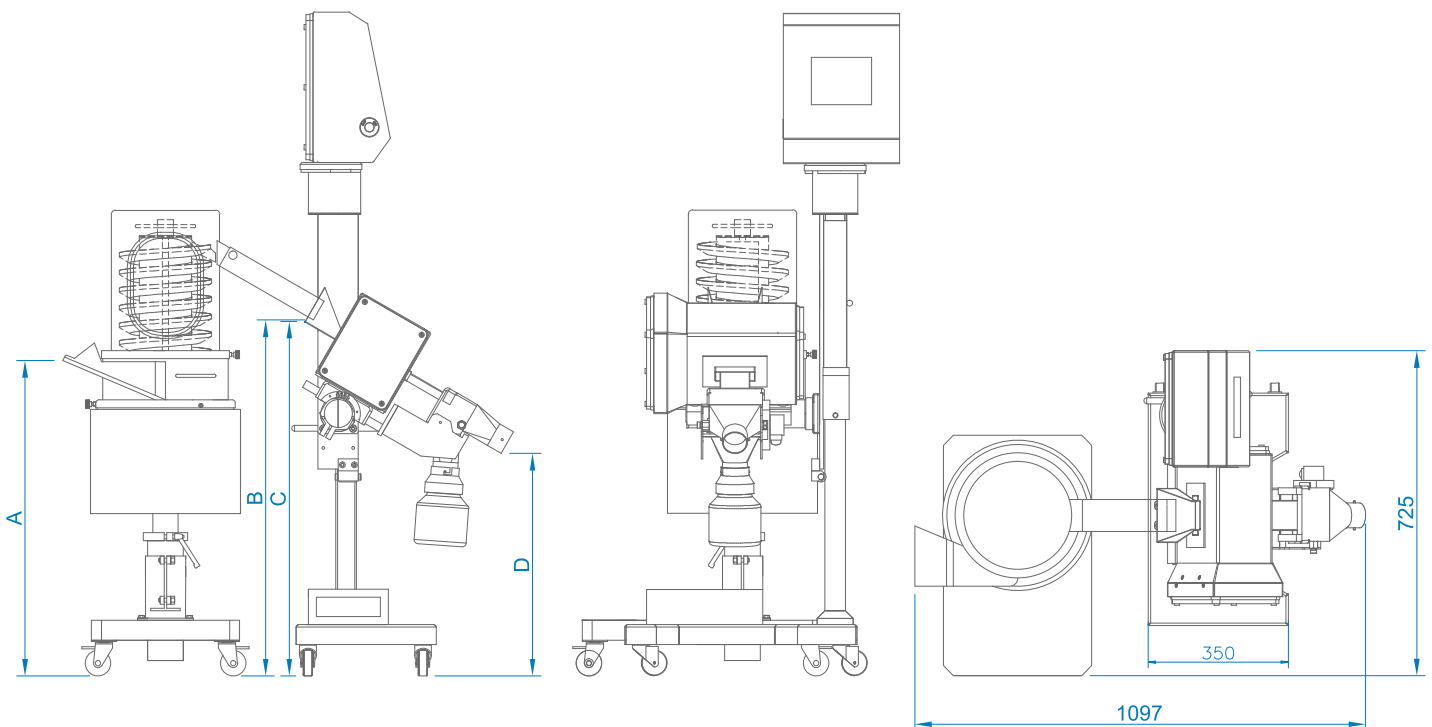
COMBO UNIT SS30 + DD10/24 METAL DETECTOR WITH ELEVATING TYPE DEDUSTER

TECHNICAL SPECIFICATIONS

Model	Kambert Metal Detector SS30
Aperture size	95mm X 22mm (can be customized)
Sensitivity	0.3mm Ferrous, 0.3mm Non-Ferrous and 0.5mm Stainless steel (with spherical ball) (Test sample with certification will be provided for the validation purpose)
Construction	All Stainless steel contact parts are in SS 316L, mirror finished optional,
Throughput	up to 10.000 tablets/capsules per minute (depending upon size and shape of tablet,/capsule)
Deduster	10/24 layer
Contacts for Interlock	Floating relay
Operating temperature	0° To 45° Ambient
Humidity	Up to 95% relative humidity

Beacuse of Technical Progress, we reserve rights of alteration.

Inlet & Outlet Range of Elevating Type Deduster			Inlet and Outlet Range of Metal Detector		
	Inlet Height A	Outlet Height B		Inlet Height A	Outlet Height B
Minimum	505 mm	180 mm	Minimum	900 mm	575 mm
Maximum	885 mm	560 mm	Maximum	1280 mm	955 mm



Kambert

Kambert Machinery Co. Pvt. Ltd.

79/4, Phase - 1, GIDC Vatva, Ahmedabad - 382 445. (INDIA)

+91 - 079 - 2583 4041 | +91 - 97277 48801

Web: www.kambert.com | Email: info@kambert.com